



Qpress 50-2
Qpress 50-4

A WORLDWIDE FIRST

**MODULAR HOT MOUNTING PRESS
WITH ONE-HAND SLIDING CLOSURE**

Highlights Qpress 50 (Opal X-Press)

- | High modularity to meet specific customer needs
- | Dust Guard:
Removes fine dust to improve safety
- | Innovative design of heating/cooling unit guarantees precise and energy-efficient mounting process
- | Basic unit supports all additional pressing units
- | Pre-heat function reduces cycle time
- | Adjustable cooling power and a choice of cooling modes reduce water consumption

GATM

GATM

GATM

Qp 50

Qpress 50

COMBINED & FAST OPERATION

Qpress 50 (OPAL X-PRESS) – MODULAR HOT MOUNTING PRESS

The Qpress 50 (Opal X-Press) is a modular hot mounting press for quick mounting of a variety of materialographic samples. It is possible to simultaneously use up to four different mounting methods and shape diameters. This modularity of the Qpress 50 allows for optimum configuration of the machine for specific customer requirements.

The Qpress 50 is available in two different basic units: Qpress 50-2 and Qpress 50-4. These basic units include one pressing unit. The Qpress 50-2 can be extended with one mounting unit and the Qpress 50-4 even with up to 3 additional mounting units. These mounting units can be operated independently and simultaneously.

A wide range of mould diameters is available from 25.2 mm, 30 mm, 1 ¼" (~32 mm), 1 ½" (~38 mm), 40 mm and 50 mm - each diameter with or without chamfer. The sliding closure allows easy one-hand operation. The Dust-Guard (only in combination with the optional vacuum cleaner) removes the fine dust that emerges when filling the cylinder, thus ensuring high occupational health and safety conditions. The user interface consisting of a large 7" touch screen offers high operating comfort. The intuitive smart phone inspired control software provides pre-installed mounting methods for QATM consumables and offers the storage of more than 200 user-defined mounting methods. Different user accounts with different access rights can be created to set operator limits, if necessary.

The multi-functional button displays the selected mounting unit, facilitates the operation of the whole unit and indicates the operation state of the pressing unit by different colours (white = switched on; green = ready to mount; red = heating; blue = cooling).



Qpress 50-4 (OPAL X-PRESS 4):
BASIC UNIT 4 WITH 3 ADDITIONAL PRESSING UNITS

Benefits Qpress 50 (Opal X-Press)

- | 7" touch screen user interface with intuitive QATM user software
- | Sliding closure with comfortable one-hand operation
- | Dust Guard removes fine dust to improve safety
- | Fast mounting
- | High modularity for both simultaneous and independently controlled mounting
- | User account management with different access rights
- | Pre-installed preparation methods and consumables
- | Powder coated steel housing

FOR UP TO 4 MOUNTS SIMULTANEOUSLY

EXCELLENT MODULARITY TO MEET YOUR SPECIFIC NEEDS

Qpress 50-2 (OPAL X-PRESS 2) – FOR MEDIUM QUANTITY OF MOUNTS

The Qpress 50-2 is the perfect choice for small and medium quantities of mounts. The basic unit includes one pressing unit and can be extended with one additional mounting unit at any time. This unit is operated independently and simultaneously. It may be placed on the left or on the right side of the basic unit.



| ADDITIONAL PRESSING UNIT QP 50
 | Qpress 50-2 BASIC UNIT

Qpress 50-4 (OPAL X-PRESS 4) – FOR LARGE QUANTITY OF MOUNTS

With the Qpress 50-4 any kind of sample quantity can be handled comfortably. Up to 4 mounts can be done simultaneously and independently from each other. The basic unit includes one pressing unit and is extendable by 1, 2 or 3 additional mounting units. The diameter of the mount of each pressing unit is chosen individually by 25.2 mm, 30 mm, 1 1/4" (~32 mm), 1 1/2" (~38 mm), 40 mm and 50 mm - each diameter with or without chamfer. The additional units can be placed on both sides of the basic unit.



| ADDITIONAL PRESSING UNIT QP 50
 | Qpress 50-4 BASIC UNIT

| ADDITIONAL PRESSING UNIT QP 50



Easy handling

- ▶ Fill the mould with the respective mounting material
- ▶ Close the sliding closure by one-hand operation
- ▶ Clean dirt trap as excess mounting material is automatically pushed towards it
- ▶ Start the mounting method with multifunctional button

CLEAR, ROBUST DESIGN MADE IN GERMANY

SUPERIORITY IN DETAIL

Sliding closure

- | One-hand operation
- | Innovative design
- | Safety closure under pressure
- | Easy to operate
- | Removable for cleaning upper ram
- | Includes dirt trap



Dust Guard

- | Vacuums fine dust of mounting material
- | Integrated in design of sliding closure

Mounting

- | Fast mounting
- | 4 different pressure modes
- | Highly precise temperature control
- | Adjustable heating/cooling power

Modularity

- | Up to three different mount sizes
- | Simultaneous mounting
- | Independently controlled
- | Status indication by the multi-functional button



Pre-heat Function

- | Pre-heating of mould
- | Reduces cycle time
- | Pre-heat temperature can be set manually

Control Interface

- | 7" color touch screen
- | Intuitive control software
- | Pre-installed preparation methods for QATM consumables
- | Smart control modularity
- | Assistance function for easy use of the additional pressing units

Software - Intuitive, easy to use, and simply clever

- | Up to 200 user-defined preparation methods storable
- | Pre-installed mounting recipes and consumables
- | Assistance function for easy use of the additional pressing units

User account management:

- | Administrator account
- | Creating preparation methods
- | Operator account
- | Limited access

Maintenance:

- | Pre-defined maintenance tasks
- | User-defined maintenance intervals
- | User defined maintenance tasks

	Temperature	Pressure	Time	Percentage
1	0°C 08m:00s	220bar	0s / 0s 00m:30s	80%
2	0°C 08m:00s	220bar	0s / 0s 02m:00s	80%
3	190°C 08m:00s	100bar	0s / 0s 04m:00s	80%
4	190°C 08m:00s	100bar	0s / 0s 04m:00s	80%

Status overview of fully equipped Qpress 50

Qpress 50 (OPAL X-PRESS) AT A GLANCE

MODEL



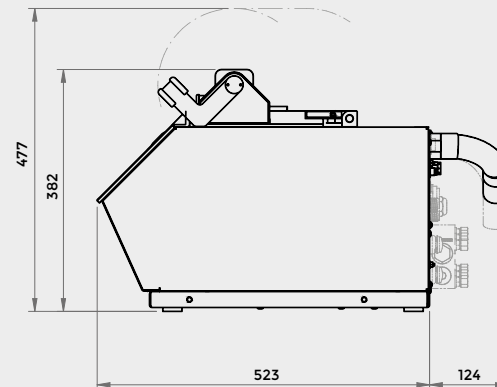
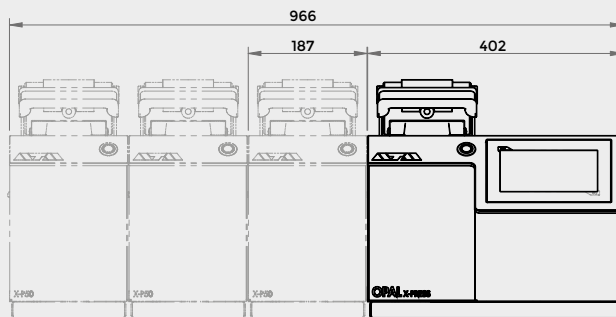
Application	Hot Mounting of samples
Fields of application	High throughput applications, process control, research and development, failure analysis

PERFORMANCE DATA

Mould assembly	Ø 25.2 - 50 mm (6 different sizes)
Closure system	slide closure
Thermostat range	20 - 200 °C
Heating time	adjustable
Cooling time	adjustable
Max. pressure in mould assembly depending on mould assembly's size	250 - 350 bar

TECHNICAL DATA

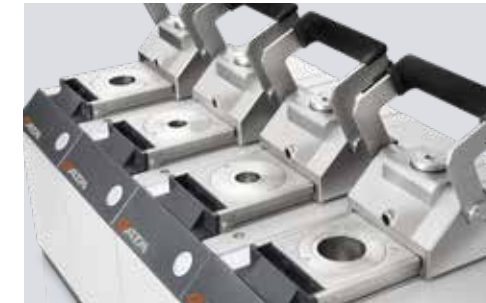
	BASIC UNIT	PRESSING UNIT
Connection power	1.6 kVA	1.5 kVA
Heating power	1200 W	1200 W
Power supply	230 V / 50 Hz or 110 V / 60 Hz	230 V / 50 Hz or 110 V / 60 Hz
W x H x D	402 x 382 x 563 mm	187 x 382 x 449 mm
Weight (depending on equipment)	~ 50 kg	~ 42 kg
More information on	www.qatm.com/qpress-50	



Additional information



| Vacuum cleaner - the heart of the Dust Guard



| Modularity in diameter size and units



| 1. USB connector for data transfer
2. Network plug, e.g. for remote service
3. Plug-in for vacuum cleaner

ATM Qness GmbH

Emil-Reinert-Str. 2
57636 Mammelzen
Germany

Phone: +49 2681 9539 0
Fax: +49 2681 9539 27

PREMIUM QUALITY
MADE IN GERMANY

ATM Qness GmbH

Reitbauernweg 26
5440 Golling
Austria

Phone: +43 6244 34393
Fax: +43 6244 34393 30



info@qatm.com www.qatm.com

VERDER scientific

VERDER SCIENTIFIC

SCIENCE
FOR SOLIDS

The Scientific Division of the VERDER Group sets standards in the development and manufacture of high-tech equipment for quality control, research and development of solid matter. The fields of activity cover sample preparation of solids as well as analysis technologies.

